



Access control post made of 2 mm. AISI304 bent sheet metal.

Ideal for the placement inside of electronic equipment to control bollards, access controls, ...

STANDARD FINISHES:

Stainless steel **Ref. PCACCES02**

SUPPLEMENTS:

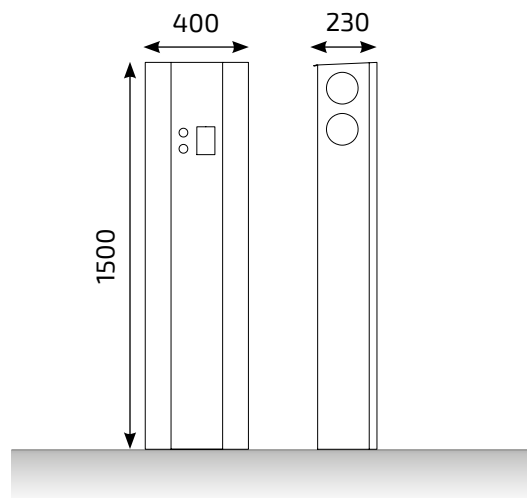
- Traffic light 2 colors with visors.
Ref. SF2CVPCACCES02
- Traffic light with vandal protection.
Ref. SF2CPPACCES02
- Traffic light protector.
Ref. PSEFPCA
- Access control and card reader.
Ref. LCPCACCES02

Ref. PCACCES02

MEASURES:

Width: 400x240 mm.

Visible / total height: 1500 mm.



Vandal protector.



Intercom.



Access control post with led traffic lights in stainless steel or iron. Design led traffic lights made of \varnothing 220 mm AISI 304 stainless steel tube. in diameter with the possibility of adding accessories inside such as license plate readers, numeric keypads, card readers ...

STANDARD FINISHES:

Stainless steel **Ref. PCACCES04**
 Lacquered iron **Ref. PCACCES03**



LED traffic light detail.



License plate reader detail.

MEASURES:

Width: \varnothing 220 mm.

Visible / total height: Variable.

