



Exhibition and sales:
C/ de la Industria 173
08025 Barcelona - Spain

Office, factory and warehouse:
C/ Acer 37-43 Pol. Ind. Les Guixeres
08915 Badalona - Spain

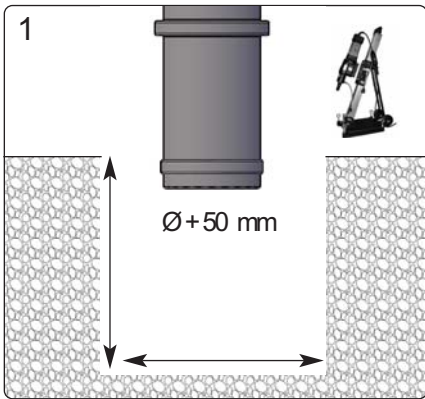
Madrid office:
Pso. Castellana, 141 Plt. 20 - Cuzco IV
28046 Madrid - Spain

International phone: +34 93 116 29 75 - Spanish phone: Tel. +34 93 456 03 03 - Fax: +34 93 455 22 28 - E-mail: ado@adosa.es

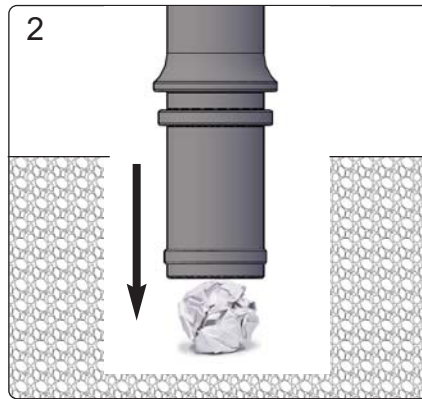


bollard installation example

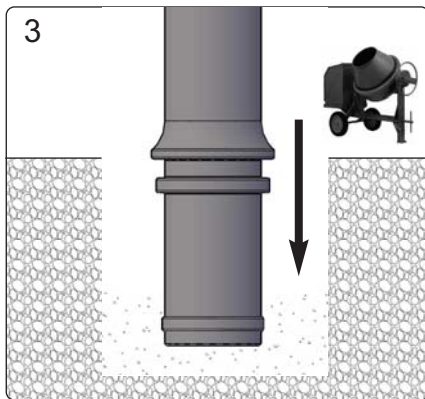
Sizes:



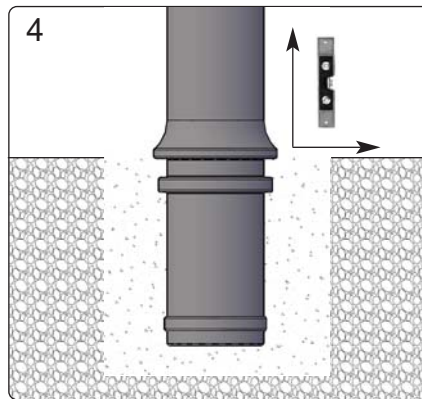
1. Dig a hole of 50 mm diameter. If it is not possible to use a hole, use a concrete base.



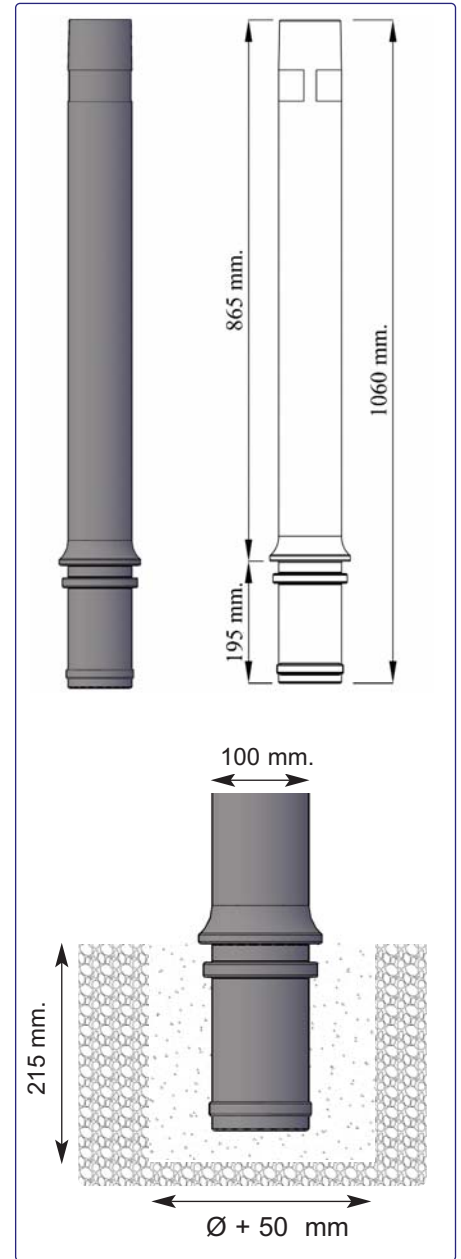
2. Put the bollard in the hole. In order to avoid concrete, use a plastic bag at the bottom of the hole.



3. Fill the hole with concrete. If it is not possible to use concrete, use a concrete base.



4. Level the bollard correctly.



Memory bollards.

A-Resist flexible bollards are manufactured from materials never used on bollards, when the bollard receive any impact, recover its original position.

MORE PRODUCTS AND DETAILED INFORMATION ON:

www.adosa.es

E-mail: ado@adosa.es

+34 93 116 29 75