



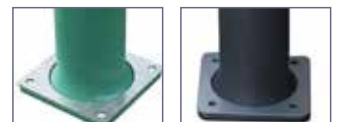
A-Eco B semiflexible bollard with plate, is made of a plastic material that gives limited flexibility. In case of an impact in their maximum flexibility point, it returns to its original position without any distortion. If this flexibility point is exceeded, this bollard returns to its original position with a possible distortion in its appearance. This bollard cannot be broken like conventional plastic, iron or cast iron bollards, which makes it an affordable and durable solution.

Semiflexible bollard with 160x160 mm. plate. Ideal for places which don't require embedding. Attachment with 4 metal anchors (not included).

A-ECO B MODELS:

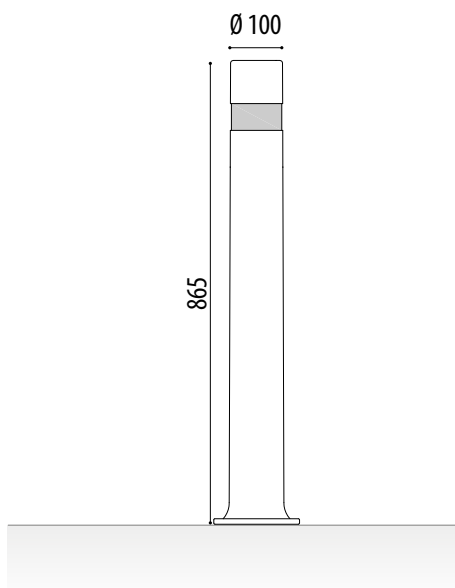
- Black..... Ref. PECHNP
- Green Ref. PECHVP
- Red Ref. PECHRP
- Yellow..... Ref. PECHAP

Detail base with a reinforcing plate.
Ref. PLPFLEX



MEASURES:

Diameter: \varnothing 100 mm.
Height: 865 mm.



TORNILLERÍA RECOMENDADA:

- Screws for concrete:
Socket \varnothing 11. - Ref. T11L
- Screws for asphalt / panot:
Plug \varnothing 10. - Ref. T10X135



Limited flexibility:



In the event of a collision, if its maximum flexibility point is not exceeded, the bollard will go back to its original position, without losing its shape or form. If the point of maximum flexibility is exceeded, this bollard won't break as if it had been made from conventional plastic, iron or cast iron. This peculiar quality makes it an economic and durable option.

ADVANTAGES COMPARING TO OTHER BOLLARDS:

Vs bollards made of metal:

- Not rust.
- Less weight.
- Not broken by an impact, it can harm people.

Vs bollards made of plastic:

- Not broken by an impact, it can harm people.

A-ECO BOLLARDS ADVANTAGES:

-  100 % recyclable.
-  Not painted. No rust. Maintenance-free.
-  Limited flexibility.
-  High resistance to many solvents, oils and greases.
-  High resistance to abrasion.
-  Pleasant to touch.
-  Aesthetically identical to metal bollards.
-  Double Level 2 reflective strip, improving the visibility of the bollard

● A-ECO BOLLARDS CERTIFICATES:

1. Certificate Appls IDIADA impact test bollard A-Eco head (HIC).



Obtained results in the test are lower than <650.
A-Eco is lees than 380 (slight rating).

2. Certificate Appls IDIADA impact test bollard A-Eco on a body (AIS).



Obtained results show a level of accelaration of the body which denotes a possibility of suffering a severe injury of AIS3 of <10%.

3. Certificate CE.



A-Eco bollards meet the general Directive of products in the European Community according to the regulation 2001/95/CE, R.D. 1803/2003.