



Ref. BACORDEG01

**Acorde urban bench** composed of six 1800x110x35 mm tropical wood slats.

Structure composed of 60x10 mm, h-shaped, steel end frames, with additional plate to support the slats.

Ideal for municipalities, shopping centres, schools, squares, streets, parks, etc....

### STANDARD FINISHES:

Oxiron grey. ....Ref. BACORDEG01

### OPTIONAL:

- Possibility of synthetic wood slats.
- Possibility of steel slats.
- Possible manufacture in faux weathering or other colours.

*The bench is supplied unassembled in order to facilitate its transportation.*

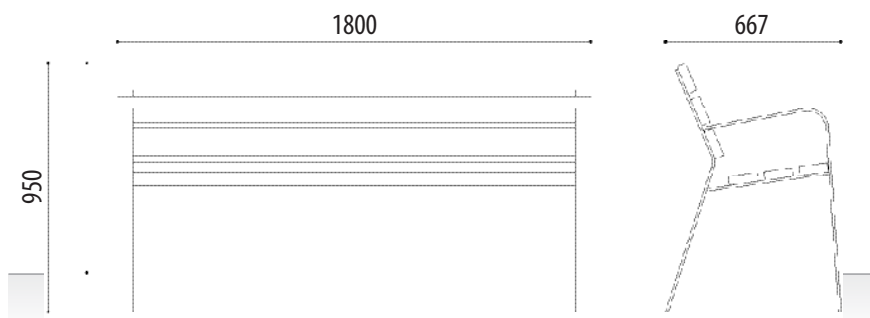
### SIZE:

Width: 667 mm.

Visual height: 800 mm.

Total height: 950 mm.

Length: 1800 mm.





Ref. SACORDEG01

**Acorde urban single-seat bench** composed of 6 slats of tropical wood of 600x110x35 mm.

Structure composed of 60x10 mm, h-shaped, steel end frames, with additional plate to support the slats.

Ideal for municipalities, shopping centres, schools, squares, streets, parks, etc....

### STANDARD FINISHES:

Oxiron grey..... Ref. SACORDEG01

### OPTIONAL:

- Possibility of synthetic wood slats.
- Possibility of steel slats.
- Possible manufacture in faux weathering or other colours.

### SIZE:

Width: 667 mm.  
 Visual height: 800 mm.  
 Total height: 950 mm.  
 Length: 600 mm.

