



**Automatic folding barrier for parking model Bap**, ideal for keeping your parking space reserved at all times, without any other car being able to access it.

With the automatic folding barriers you park automatically without getting out of the car.

Possibility of choice of small or large arch.

### STANDARD FINISHES:

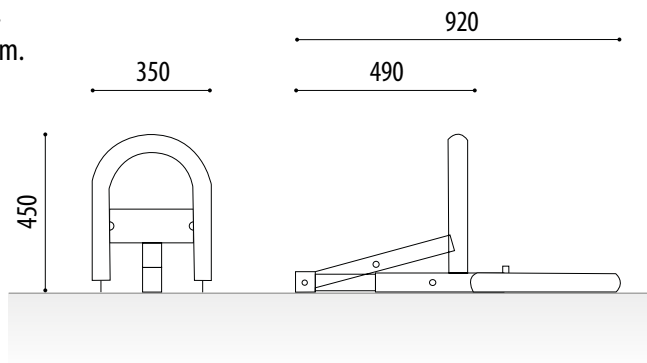
Yellow..... **Ref. BAP**

### CHARACTERISTICS:

- 24 V automation system.
- Allows the immediate stop of the gearmotor in the event of an obstacle thanks to the electronic stop device.
- Maximum safety for the operator and end user.
- Operation guarantee even when there is a power failure.
- In the event of a power failure, it can be unlocked by opening the arch manually.
- Possibility of choosing the opening system, contact keys, controls and proximity cards.

### MEASURES:

Closed width: 490 mm.  
Open width: 920 mm.  
Overall height: 450 mm.  
Length: 350 mm.





# AUTOMATIC FOLD-DOWN BARRIER

## BAG



Ref. BAG

**Bag model automatic folding barrier for parking, ideal for keeping your parking space reserved at all times, without any other car being able to access it.**

With the automatic folding barriers you park automatically without getting out of the car.

Possibility of choice of small or large arch.

### STANDARD FINISHES:

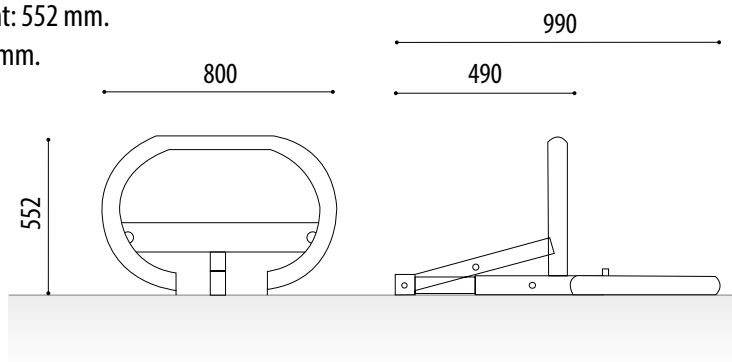
Yellow..... Ref. BAG

### CHARACTERISTICS:

- 24 V automation system.
- Allows the immediate stop of the gearmotor in the event of an obstacle thanks to the electronic stop device.
- Maximum safety for the operator and end user.
- Operation guarantee even when there is a power failure.
- In the event of a power failure, it can be unlocked by opening the arch manually.
- Possibility of choosing the opening system, contact keys, controls and proximity cards.

### MEASURES:

Closed width: 490 mm.  
 Open width: 990 mm.  
 Overall height: 552 mm.  
 Length: 800 mm.



[www.adourbanfurniture.com](http://www.adourbanfurniture.com)

+34 93 116 29 75 (International) | +34 93 456 03 03 (Spanish)

info@adourbanfurniture.com