



LITTER BIN

BARCELONA



Ref. PBARCE01

Barcelona model urban litter bin in black wrought iron folding with bottom plate to fix with metal studs to the floor.

 Emptying tipping.

STANDARD FINISHES:

Forged black lacquer. Ref. PBARCE01

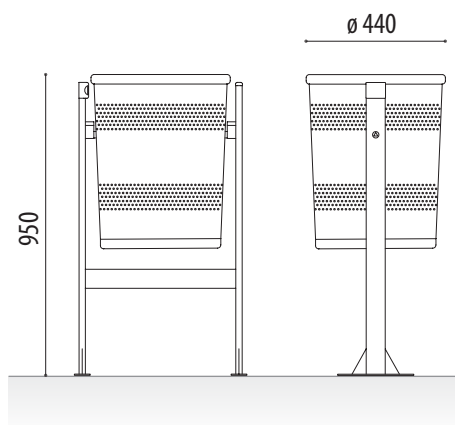
OPTIONAL:

- Personalization with microperforated logo engraving.
- 11 screw plug. Ref. T11L

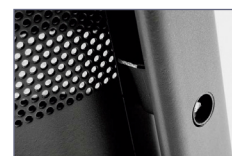


MEASURES:

Diameter: \varnothing 440 mm.
Height: 950 mm.
Capacity: 63 litros.



Triangular key tilting system locking system.



 www.adourbanfurniture.com

 +34 93 116 29 75 (International)

+34 93 456 03 03 (Spanish)

 info@adourbanfurniture.com