

BIKE cycle stand. Ideal in combination with different cycle stands models, made out of steel or AISI 304 stainless steel.

STANDARD FINISHES:

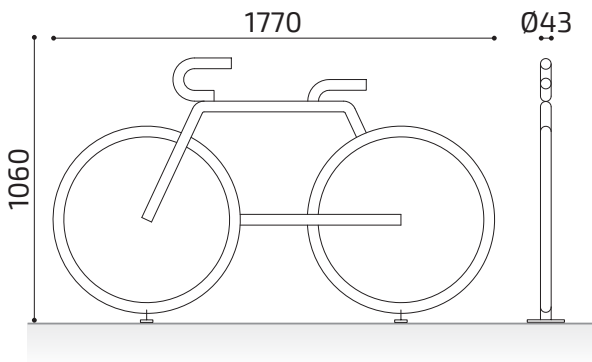
Galvanized with plate Ref. APARCABIKEGP2

Stainless steel with plate Ref. APARCABIKEI304P2



Ref. APARCABIKEI304P2

SIZE:



ADO, reserves the right to change product specifications without prior notice.