



City Arco bike rack built in the same way as the city bollard for an easy combination of bollards and bike racks in the same environment.

STANDARD FINISHES:

- Stainless steel **Ref. APCITYAI**
- Iron **Ref. APCITYAH**

OPTIONAL:

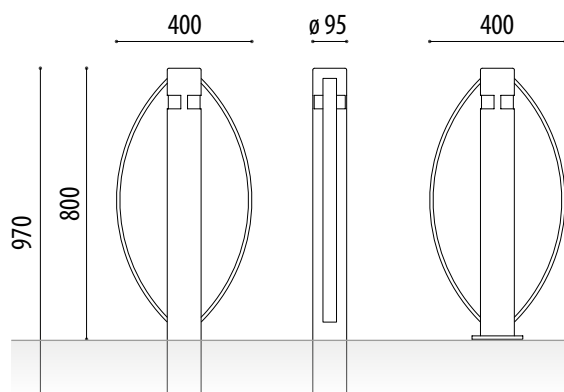
- Plate for bollard \varnothing 100 mm. **Ref. SUPP**
- Possibility of customizing bicycle pictogram, engraving of the logo or identifying text of the Municipality.



Ref. APCITYAH

MEASURES:

- Width: 95 mm.
- Visible height: 800 mm.
- Total height: 970 mm.
- Length: 400 mm.
- Bollard diameter: \varnothing 95 mm.



Opcional.