



Ref. APCITYCH

City Circu bike rack built in the same way as the city bollard for an easy combination of bollards and bike racks in the same environment.

STANDARD FINISHES:

Stainless steel circumference. **Ref. APCITYCI**

Iron circumference **Ref. APCITYCH**

CARACTERÍSTICAS:

- Inner width for wheel: 95 mm.

OPTIONAL:

- Plate for bollard \varnothing 95 mm. **Ref. SUPP**

- Possibility of personalizing bicycle pictogram, engraving of the logo or identifying text of the Municipality.



MEASURES:

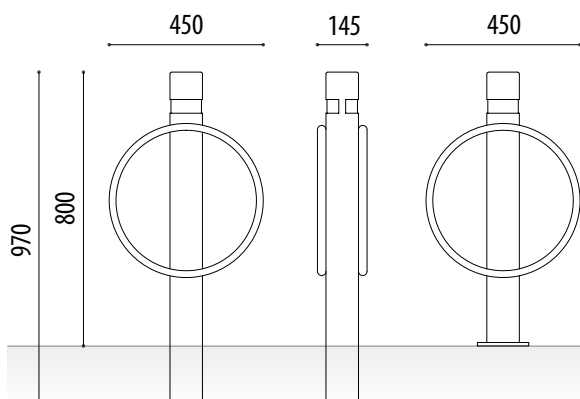
Width: 145 mm.

Visible height: 800 mm.

Total height: 970 mm.

Length: 450 mm.

Bollard diameter: \varnothing 95 mm.



Optional.