



Ref. PCITYNLVB

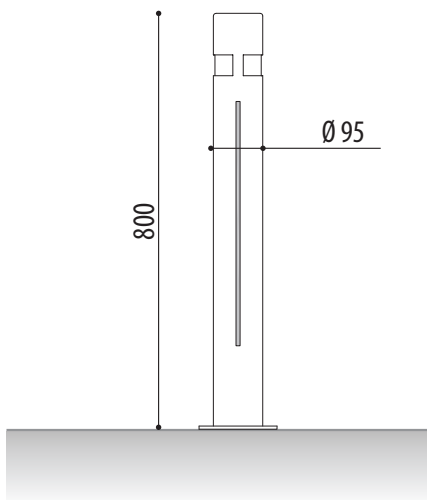
Ref. PCITYNLVR

MEASURES:

Diameter: \varnothing 95 mm.

Height: 800 mm.

Thickness: 2,5 mm.



City model luminous bollard reinforced with low consumption LEDs. Constructed in a single piece avoiding the breakage of the upper part of the bollard, by means of its two lateral iron reinforcements located just above the stainless steel ring.

50mm led strip. high, located vertically in the body of the bollard. Possibility of up to 4 strips.

MODELS:

White led:

Gray oxiron (1 strip) **Ref. PCITYNLVB**

Gray oxiron (2 strips) **Ref. PCITYNLVB2**

Red led:

Gray oxiron (1 strip) **Ref. PCITYNLVR**

Gray oxiron (2 strips) **Ref. PCITYNLVR2**

OPTIONAL:

- Personalization with logo engraving.
- Reflecting tape.
- Other colors to consult.
- Possibility of choosing different colors of LEDs, patterns and operating sequences.

RECOMMENDED SCREWS:

- For concrete:
 \varnothing 11. - **Ref. T11L**



- For asphalt / panot:
 \varnothing 10. - **Ref. T10X135**



ACCESSORIES:

- 1 ring for bollard. **Ref. S1AP**
- 2 rings for bollard. **Ref. S2AP**
- Galvanized chain of \varnothing 6 mm. **Ref. CG6100**
- 40 mm brass padlock. steel bow. **Ref. CNMCAD40**