



# REMOVABLE BOLLARD

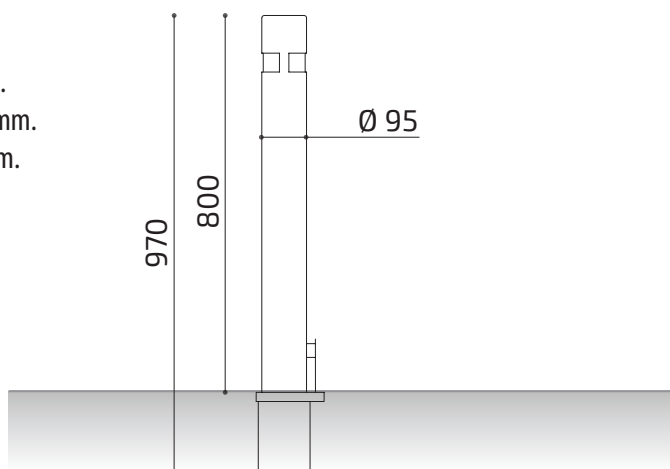
## CITY WITH PADLOCK



Ref. PCITYEC

### MEASURES:

Diameter:  $\varnothing$  95 mm.  
Visible height: 800 mm.  
Total height: 970 mm.  
Thickness: 2,5 mm.



**Removable reinforced City model bollard**, created at the request of the municipalities to solve the problem of breakage in the upper part of the bollards with stainless steel ring.

Galvanized base for anchoring to the ground, for housing the bollard to lock it with a universal triangular key lock on the top of the bollard.

### STANDARD FINISHES:

Gray oxiron.....Ref. PCITYELS

### FEATURES:

- Bollards built with galvanized iron tube.
- Laser-cut iron tube joining the upper and lower parts by 2 strips of the same tube, thus avoiding the frequent breakage of the upper part of the Hospitalet bollard.
- Iron finish painted in black oxiron, imitation wood and RAL chart color to choose from.

### OPTIONAL:

- Logo customization:
  - Logo creation on bollards. **Ref. CRELOG**
  - Preparation of the logo on an engraving machine. **Ref. CRELOGMAQ**
  - Engrave logo on 1-sided bollards. **Ref. LOGPI1C**
  - Engrave logo on 2-sided bollards. **Ref. LOGPI2C**
- Reflecting tape.
- Otrer colors RAL.

*Custom engravings detail in reinforced city bollards.*





# REMOVABLE BOLLARD

## CITY WITH PADLOCK



### ACCESSORIES:

- 1 ring for bollard. **Ref. S1AP**
- 2 rings for bollard. **Ref. S2AP**
- Galvanized chain of  $\varnothing$  6 mm. **Ref. CG6100**
- 40 mm brass padlock. with steel arch. **Ref. CNMCAD40**



*Engraved detail of the logo on the bollard.*



*Bollard reinforcement detail avoiding top break.*



[www.adourbanfurniture.com](http://www.adourbanfurniture.com)



+34 93 116 29 75 (International) | +34 93 456 03 03 (Spanish)



info@adourbanfurniture.com