



REMOVABLE BOLLARD

CITY UPPER KEY



City model removable bollard reinforced top key, manufactured in one piece to solve this common problem that can harm pedestrians and damage the image of the city and the places where they are installed.

Galvanized base for anchoring to the ground, for housing the bollard to lock it with a universal triangular key lock on the top of the bollard.

STANDARD FINISHES:

Gray oxiron..... **Ref. PCITYELS**

FEATURES:

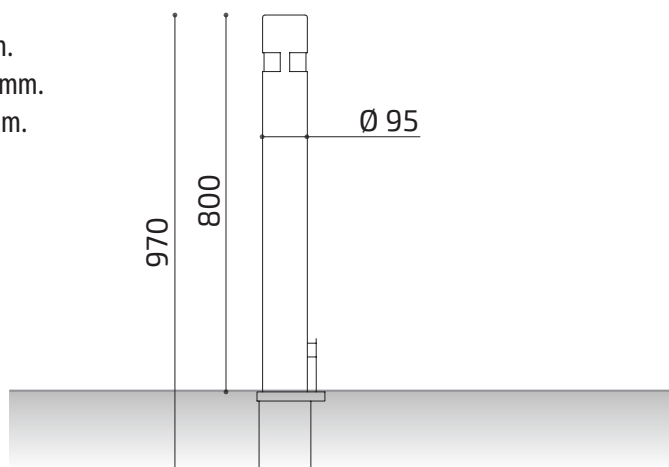
- Bollards built with galvanized iron tube.
- Laser-cut iron tube joining the upper and lower parts by 2 strips of the same tube, thus avoiding the frequent breakage of the upper part of the Hospitalet bollard.
- Iron finish painted in black oxiron, imitation wood and RAL chart color to choose from.

OPTIONAL:

- Logo customization:
 - Logo creation on bollards. **Ref. CRELOG**
 - Preparation of the logo on an engraving machine. **Ref. CRELOGMAQ**
 - Engrave logo on 1-sided bollards. **Ref. LOGPI1C**
 - Engrave logo on 2-sided bollards. **Ref. LOGPI2C**
- Reflecting tape.
- Additional removable base. **Ref. BEXTRA95**
- Other colors RAL.

MEASURES:

Diameter: \varnothing 95 mm.
 Visible height: 800 mm.
 Total height: 970 mm.
 Thickness: 2,5 mm.



Custom engravings detail in reinforced city bollards.



www.adourbanfurniture.com

+34 93 116 29 75 (International) | +34 93 456 03 03 (Spanish)

info@adourbanfurniture.com