



# BICYCLE PARKING

## TWO HEIGHTS DECKER



**Horizontal Decker bicycle rack** at two heights in galvanized steel to make better use of space in areas with a large influx of bicycle parking spaces.

Two-tier bicycle parking system that allows better use of space. It has a pneumatic lifting system using a gas piston on the upper rail that allows less effort to park the bicycle. The bike stays stable between the wheel rails.

Ideal for areas with a high density of bicycles, shopping malls, train stations, subways, universities, schools,...

### STANDARD FINISHES:

Hot dip galvanized . . . . . Ref. APDECKER01

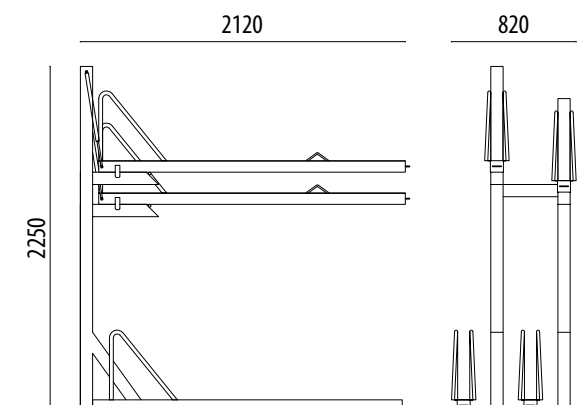
### OPTIONAL:

- Other finishes and colors to consult.



### MEASURES:

Width: 820mm.  
Height: 2250mm.  
Length: 2120mm.



[www.adourbanfurniture.com](http://www.adourbanfurniture.com)

+34 93 116 29 75 (International) | +34 93 456 03 03 (Spanish)

info@adourbanfurniture.com