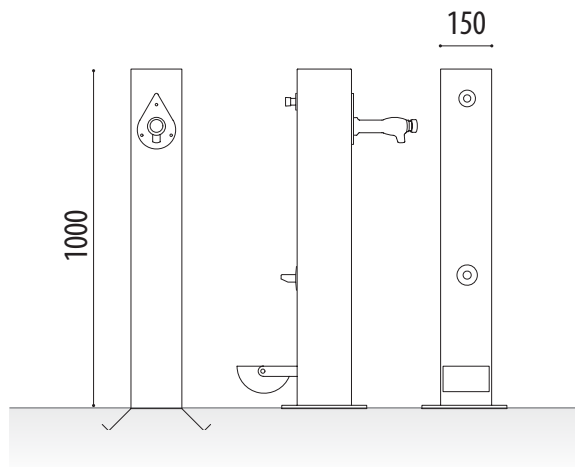




Ref. FDINGO01

MEASURES:

Width: 150x150 mm.
 Total height: 1000 mm.
 Inferior plate: 250x250 mm.



Dingo urban fountain in zinc-plated iron plus oven-lacquered for greater resistance to corrosion. Independent push-type taps, on the one hand with a tap for the use of people and on the other side an upper push-button plus a lower tap and a drinking fountain for animals.

Stainless steel drinker with hole in the central part to prevent stagnant water and with a side lever to tilt the drinker.

MODELS:

Gre y oxironRef. FDINGO01

OPTIONAL:

- Customization with logo engraving.
- Conventional ball-type tap.
- Without bottom plate to embed (*economic range*).
- Small drops logo engraving on the front.
- Other colors to consult.



NOT INCLUDED:

- Drain grid.
- Anchor plugs.

REJILLAS (OPCIONAL):

