



Estrofa model urban bench composed of 7 tropical wood slats 1800x110x35 mm.

Structure built with 60x10 mm handrails. of straight and stylized lines with armrests.

Ideal for town halls, shopping centers, schools, squares, streets, parks,...

STANDARD FINISHES:

Grey oxiron. Ref. **BESTROFAG01**

OPTIONAL:

- Possibility of synthetic wood slats.
- Possibility of iron slats.
- Possibility of manufacturing in imitation corten or in other colors.

Ref. **BESTROFAG01**

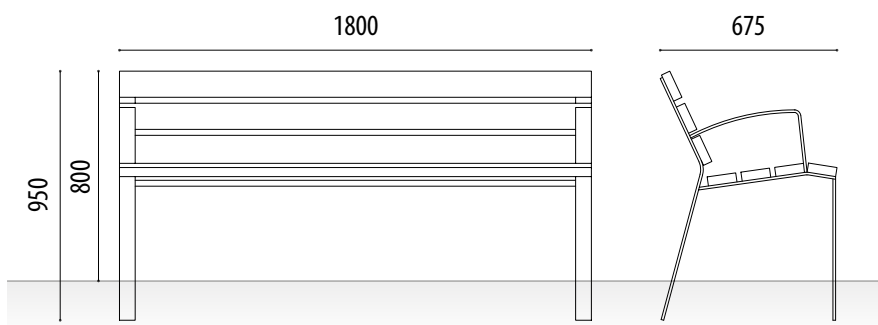
MEASURES:

Width: 675 mm.

Visible height: 800 mm.

Overall height: 950 mm.

Length: 1800 mm.





URBAN CHAIR

ESTROFA



Estrofa model urban chair composed of 7 tropical wood slats 600x110x35 mm.

Structure built with 60x10 mm handrails. of straight and stylized lines with armrests.

Ideal for town halls, shopping centers, schools, squares, streets, parks,...

STANDARD FINISHES:

Grey oxiron..... Ref. **SESTROFAG01**

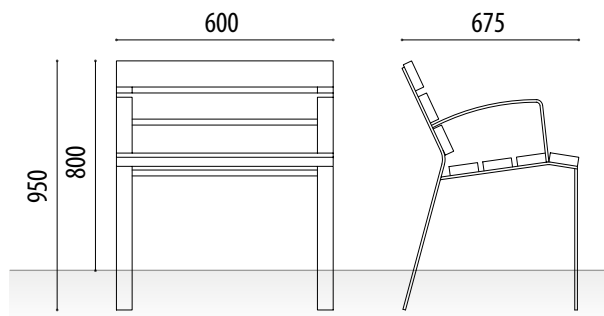
OPTIONAL:

- Possibility of synthetic wood slats.
- Possibility of iron slats.
- Possibility of manufacturing in imitation corten or in other colors.

Ref. **SESTROFAG01**

MEASURES:

Width: 675 mm.
Visible height: 800 mm.
Overall height: 950 mm.
Length: 600 mm.



www.adourbanfurniture.com

+34 93 116 29 75 (International) | +34 93 456 03 03 (Spanish)

info@adourbanfurniture.com