



BIKE RACKS

FOUR STAND

ADO
design



Ref. APARCAFOURI304P

Four bike stand made out of galvanised steel, or AISI 304 stainless steel.

Available in single-unit rack or 2, 4, or 6 bikes parking.

Installation by means of metal screw anchors or embedment.

INDIVIDUAL STANDARD FINISHES:

Galvanized Ref. APARCAFOURG

Galvanized with plate Ref. APARCAFOURGP

Stainless steel Ref. APARCAFOURI304

Stainless steel with plate. . . . Ref. APARCAFOURI304P

STANDARD FINISHES SETS:

Galvanized with plate:

4 bikes Ref. APARCAFOURGP4

6 bikes Ref. APARCAFOURGP6

Stainless steel with plate :

4 bikes Ref. APARCAFOURI304P4

6 bikes Ref. APARCAFOURI304P6

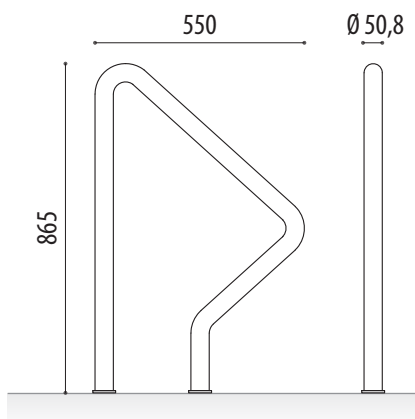
SIZE:

Width: 50 mm.

Total height: 865 mm.

Length: 550 mm.

Tube diameter: \varnothing 50,8 mm.



www.adourbanfurniture.com

+34 93 116 29 75 (International) | +34 93 456 03 03 (Spanish)

info@adourbanfurniture.com