



FIXED BOLLARD

HORMIGÓN



Concrete model bollard built in prefabricated concrete.

STANDARD FINISHES:

Concrete **Ref. PHORMIGON**

INSTALLATION:

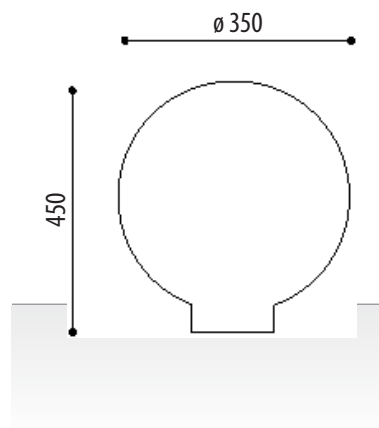
Installation by masonry work.



Ref. PHORMIGON

MEASURES:

Diameter: \varnothing 350 mm.
Overall height: 450 mm.
Height: 48 Kg.



www.adourbanfurniture.com

+34 93 116 29 75 (International) | +34 93 456 03 03 (Spanish)

info@adourbanfurniture.com