



Removable stainless steel anti-moon security bollard made of \varnothing 104 mm stainless steel. Iron tube inside 2 mm tube diameter. thick, thus achieving greater resistance to impacts in cases of moon landing.

Ideal for those places where the installation of fixed bollards is not possible.

Easy assembly by point wrench.

MODELS:

Stainless steel **Ref. PSGR104E**

OPTIONAL:

- Ring for chains.
- Welded plate with holes for four metal studs.
- Personalization with logo engraving on the bollard.
- Padlock with equal key.
- Other colors to consult.

Ref. PSGR104E

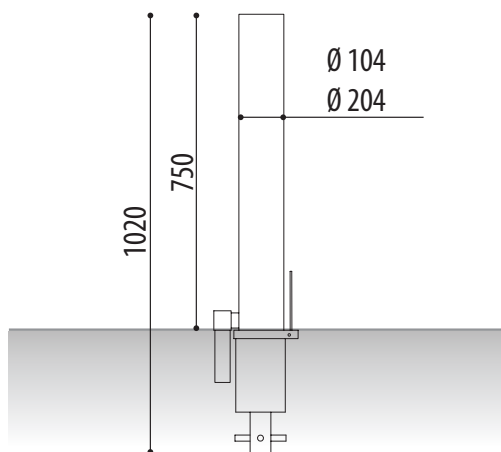
MEASURES:

Diameter: \varnothing 104 / 204 mm.

Visible height: 750 mm.

Overall height: 1020 mm.

Thickness: 3mm.



Interior base detail to house the bollard.