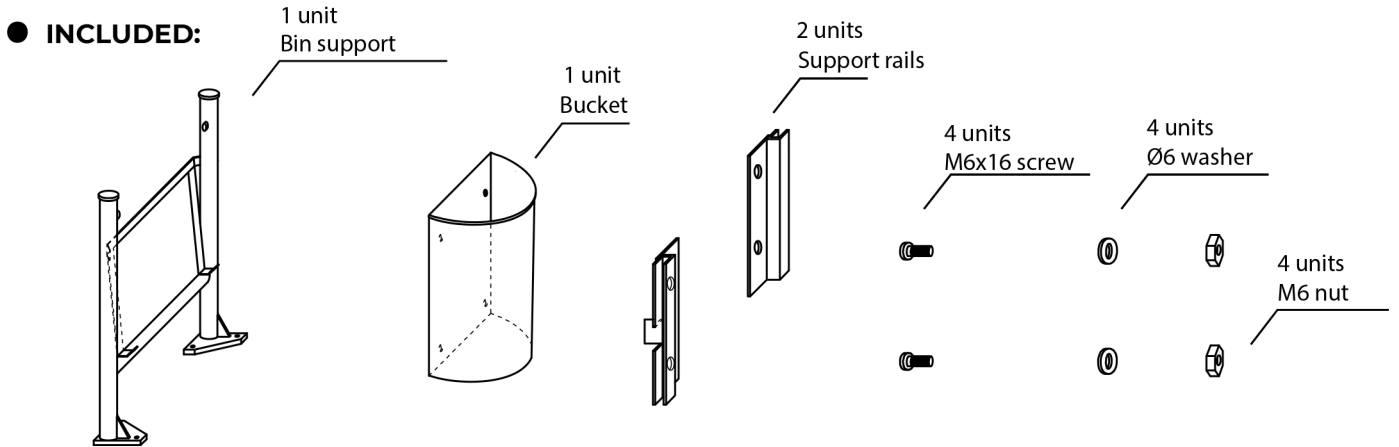


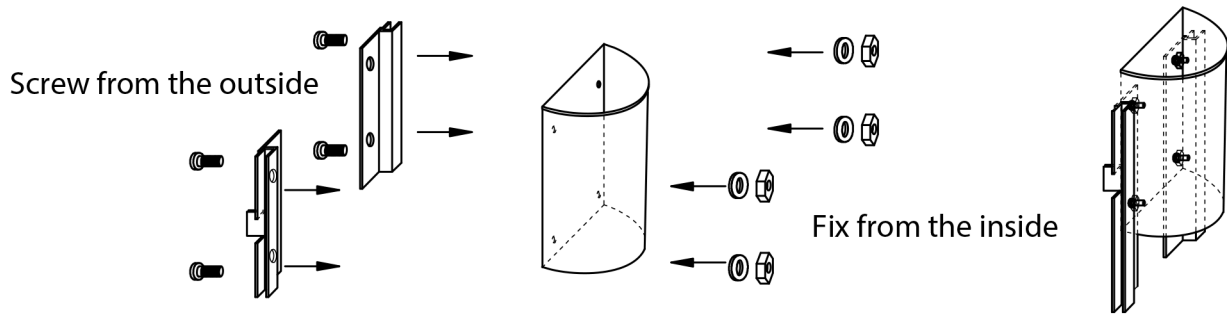


# ASSEMBLY AND INSTRUCTIONS

## SEMICIRCULAR LITTER BINS

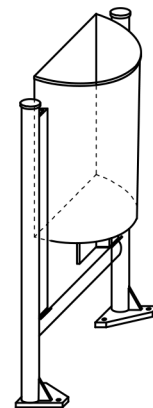
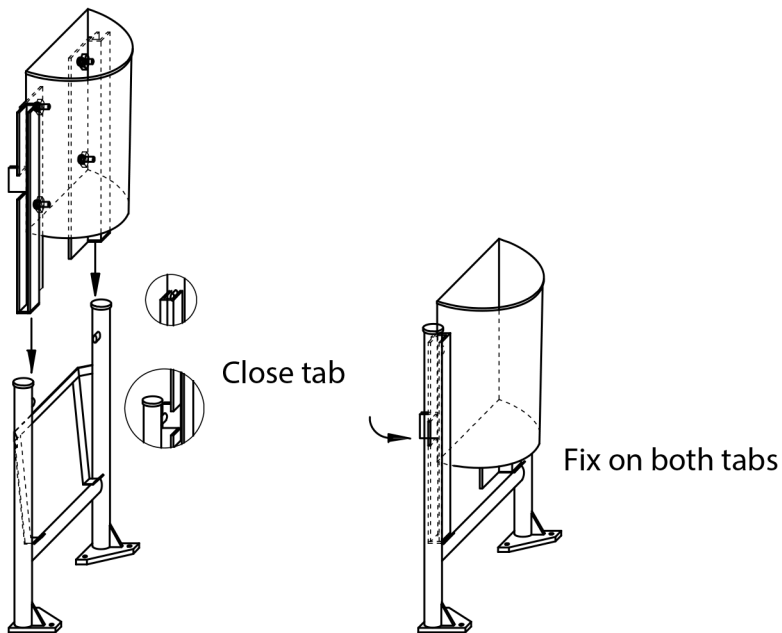


● **REAR SIDE ASSEMBLY:**



● **UPPER SIDE ASSEMBLY:**

● **FINAL VIEW:**



[www.adourbanfurniture.com](http://www.adourbanfurniture.com)

+34 93 116 29 75 (International) | +34 93 456 03 03 (Spanish)

info@adourbanfurniture.com