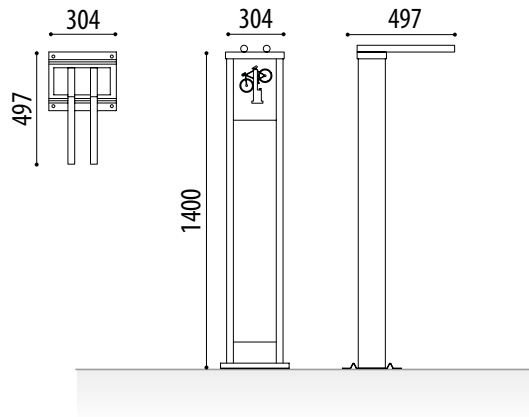




Ref. **KEEPERG04**

**MEASURES:**

Width: 304 mm.  
Depth: 497 mm.  
Height: 1400 mm.



**Keeper bike repair station.** Bicycle fastening by round tubes that allow proper handling of the bicycle, inner part for tool housing, secured by galvanized steel cable.

Vandal-proof equipment that includes tools for maintenance or routine repairs of bicycles.

**STANDARD FINISHES:**

Grey oxiron..... Ref. **KEEPERG04**  
Stainless steel ..... Ref. **KEEPERI04**

**TOOLS:**

- Tyre levers
- Star screwdriver
- Flat screwdriver
- Multitools
- Wrench
- Side-hand pump

**OPTIONAL:**

- Door closing system with coin.  
Ref. **SUPPKEEPERM**
- Door closing system with magnet.  
Ref. **SUPPKEEPER**



# BIKE REPAIR STATION

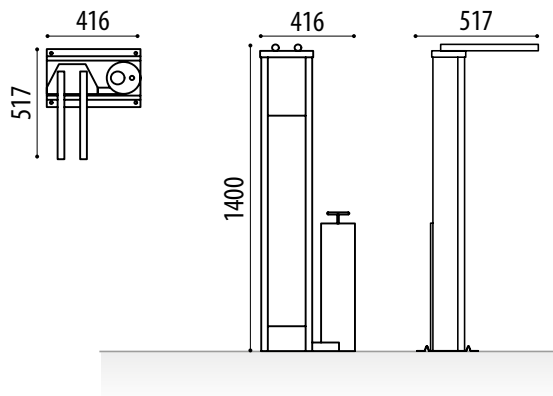
## KEEPER WITH PUMP



Ref. KEEPERG03

### MEDIDAS:

Width: 416 mm.  
Depth: 517 mm.  
Height: 1400 mm.



**Keeper bike repair station.** Bicycle fastening by round tubes that allow proper handling of the bicycle, inner part for tool housing, secured by galvanized steel cable.

Vandal-proof equipment that includes tools for maintenance or routine repairs of bicycles and hand pump to inflate the wheels.

### STANDARD FINISHES:

Grey oxiron..... Ref. KEEPERG03

Stainless steel ..... Ref. KEEPERI03

### HERRAMIENTAS:

- Tyre levers
- Star screwdriver
- Flat Screwdriver
- Multitool
- Wrench
- Side-hand pump

### OPTIONAL:

- Door closing system with coin.  
Ref. SUPPKEEPERM
- Door closing system with magnet.  
Ref. SUPPKEEPER



[www.adourbanfurniture.com](http://www.adourbanfurniture.com)

+34 93 116 29 75 (International) | +34 93 456 03 03 (Spanish)

info@adourbanfurniture.com