



LITTER BIN

LIFE



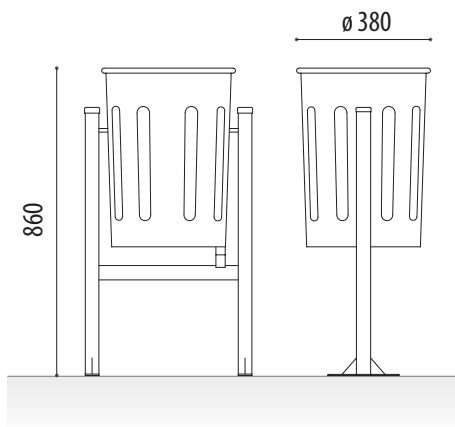
Ref. PLIFE01

SIZE:

Diameter: \varnothing 380 mm.

Height: 860 mm.

Capacity: 33 litres.



Life urban steel litter bin, tipping and black anthracite-coloured, with bottom plate for ground installation by means of metal screw threads.

STANDARD FINISHES:

Black anthracite lacquered. . . Ref. PLIFE01

OPTIONAL:

- Personalization with logo decoration.

- M11 screw thread. Ref. T11L



LILLA ASHTRAY:



CLILLALG01



CLILLAG01



CLILLA01



www.adourbanfurniture.com



+34 93 116 29 75 (International) | +34 93 456 03 03 (Spanish)



info@adourbanfurniture.com