



# LITTER BIN

## LINCEO



Ref. PLINCEOG01

**Linceo urban litter bin** constructed from a square steel sheet bucket with rounded edges, folded sheet support on one side with lower holes for ground installation by means of metal screw threads.

### STANDARD FINISHES:

Oxiron grey..... Ref. PLINCEOG01  
Weathering steel.....Ref. PLINCEOC01

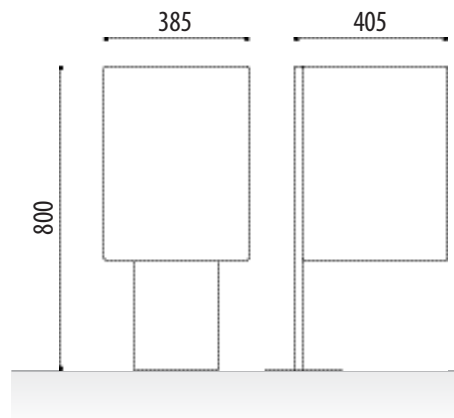
### OPTIONAL:

- Personalization with logo decoration.
- Stainless steel inner ring to hold garbage bags. Ref. AIP385X385
- M11 screw thread. Ref. T11L



### SIZE:

Width: 385x405 mm.  
Height: 800 mm.  
Capacity: 71 litres.



[www.adourbanfurniture.com](http://www.adourbanfurniture.com)

+34 93 116 29 75 (International) | +34 93 456 03 03 (Spanish)

info@adourbanfurniture.com