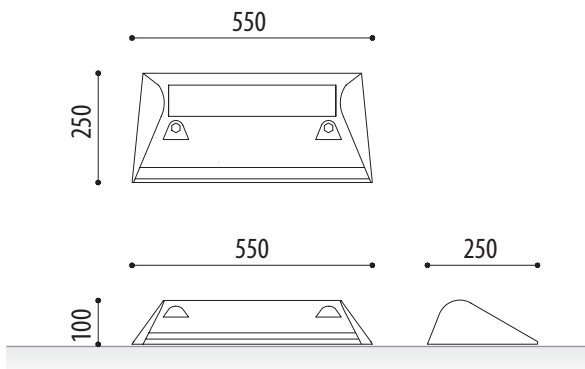




Ref. MOMPE3

MEASURES:

Width: 250 mm.
Total height: 100 mm.
Length: 550 mm.
Weight: 5.7 Kg.



Asymmetric modular rubber road separator Mompe model made of black rubber with two strips of vulcanized rubber in white that blend with the rest of the piece.

Road separator in monobloc pieces of 550 mm. They can be installed individually or in blocks.

Designed to protect cyclists from vehicles in urban zones

OPTIONAL SCREWS:

Set of screws formed by threaded rod M-12 mm. zinc plated and nut.

For each Mompe set (left + right) 5 units of screws will be required.

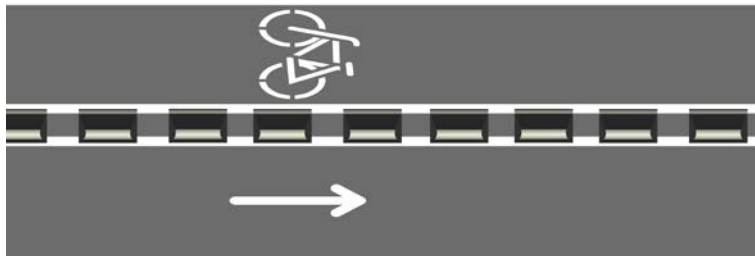
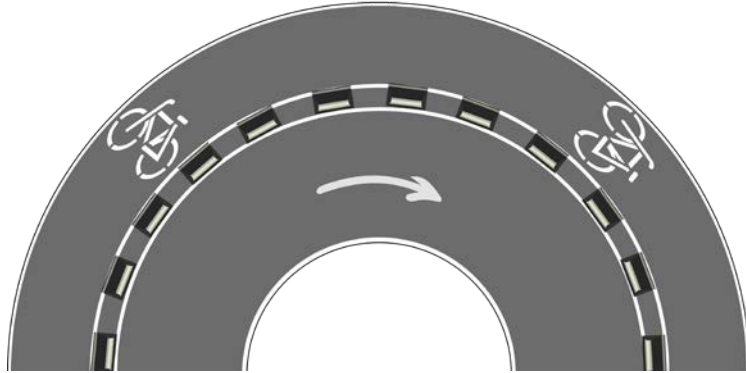
Ref. MOMPETOR



FEATURES:

- Greater protection for cyclists, as the side of the vehicles is higher, making it difficult for them to pass.
- Modular design that offers great mechanical resistance to impacts.
- High visibility due to its two white bands.
- High resistance to abrasion.
- Easy assembly with metal studs.
- Installation in individual pieces or in straight sections according to needs.

INSTALLATION:



FEATURES	NORM	UNIT	VALUES
Hardness	UNE-EN ISO 868-98	°Shore A	81
Abrasion	UNE-EN ISO 12770:2000	mm ³	167
Resistance to traction	UNE-EN 12803:2001	Kg. / cm ²	51.3
Resistance to tear	UNE-EN 12771:2000	N / mm.	8.58
Elongation at break	UNE-EN 12803:2001	%	142
Resistance to: cold	Excellent		
Resistance to: warm	Good		
Compression set: at - 40° C	Good		
Compression set: at 23° C	Good		
Resistance to warm	Good		
Resistance to cold	Good		
Resistance to sunlight	Good		
Resistance to oxidation	Good		
Resistance to water	Good		
Resistance to esters and ketones	Good		