



Recyclable
plastic legs



Ref. BNIGHTFALLP01

Nightfall urban bench composed of six 1800x110x35 mm tropical wood slats and anti-UV treated recyclable plastic legs of high resistance. Ground installation by means of anchors.

High-quality polymer, remarkably resistant to bad weather, does not require maintenance.

Ideal for municipalities, shopping centres, schools, squares, streets, parks, etc...

STANDARD FINISHES:

Black plastic legs Ref. BNIGHTFALLP01



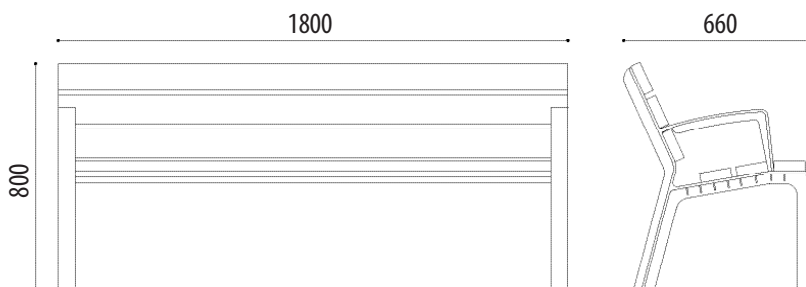
The bench is supplied unassembled in order to facilitate its transportation.

SIZE:

Width: 660 mm.

Height: 800 mm.

Length: 1800 mm





URBAN SINGLE-SEAT BENCH

NIGHTFALL



Recyclable
plastic legs 

Ref. SNIGHTFALLP01

Nightfall urban single-seat bench composed of 6 slats of tropical wood of 600x110x35 mm and anti-UV treated, recyclable plastic legs of great resistance. Ground installation by means of anchors.

High-quality polymer, remarkably resistant to bad weather, does not require maintenance.

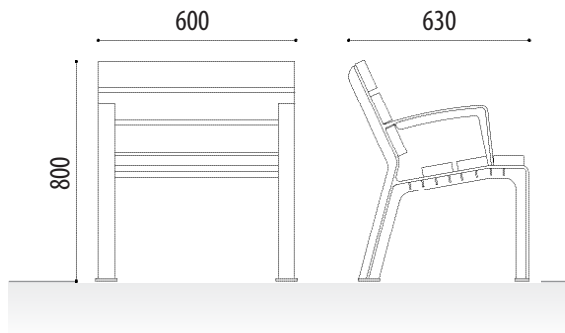
Ideal for municipalities, shopping centres, schools, squares, streets, parks, etc...

STANDARD FINISHES:

Black plastic legs Ref. SNIGHTFALLP01

SIZE:

Width: 600 mm.
Height: 800 mm.
Length: 630 mm



 www.adourbanfurniture.com

 +34 93 116 29 75 (International) | +34 93 456 03 03 (Spanish)

 info@adourbanfurniture.com

Office, factory and warehouse: C/ Acer, 37-43 Pol. Ind. Les Guixeres 08915 Badalona - Spain