



URBAN FOUNTAIN

NILO



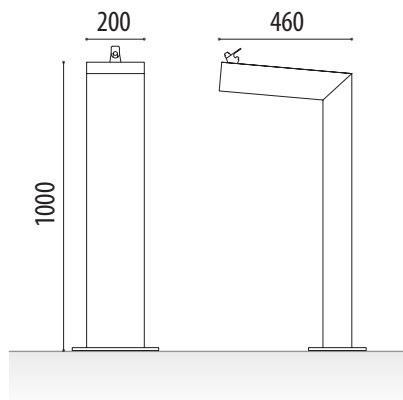
ADO
design



Ref. FNILOG01

MEASURES:

Width: 200 mm.
Height: 1000 mm.
Length: 460 mm.



Nilo model urban fountain design. Lacquered iron or stainless steel structure. Push button faucet.

Designed to avoid uncivil acts, making it difficult to fill bottles.

Ideal to install in parks, schools, gardens, streets,... with rounded edges to avoid possible damage.

STANDARD FINISHES:

Gray lacquered Ref. FNILOG01
Red lacquered Ref. FNILOR01

OPTIONAL:

- Customization with logo engraving.
- Without bottom plate to embed (*economic range*).
- Other colors to consult.

NOT INCLUDED:

- Anchor studs.



Top drain



www.adourbanfurniture.com

+34 93 116 29 75 (International)

+34 93 456 03 03 (Spanish)

info@adourbanfurniture.com