

ADO
design



Ref. OLAI304

Ola model bicycle rack built with a 50.8 mm diameter tube. in AISI 304 or 316 stainless steel and curved arch.

STANDARD FINISHES:

Stainless steel AISI 304. **Ref. OLAI304**

Stainless steel AISI 304 with plate

Ref. OLAI304

Stainless steel AISI 316. **Ref. OLAI316**

Stainless steel AISI 316 with plate

Ref. OLAI316

OPTIONAL:

- Embellisher galvanized steel.

Ref. EAPARCAG

- Embellisher stainless steel.

Ref. EAPARCAI

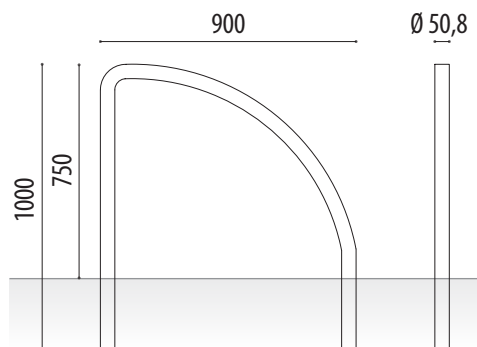
MEASURES:

Visible height: 750 mm.

Total height: 1000 mm.

Length: 900 mm.

Diameter: \varnothing 50,8 mm.





BICYCLE PARKING

OLA SET



Ola model bicycle rack set made of AISI 304 or 316 stainless steel with round tube supported on handrails.

Installation using metal plugs, rods or legs to be embedded in the ground.

STANDARD FINISHES:

AISI 304 stainless with plate:

8 bikes **Ref. OLAI3044**

10 bikes... **Ref. OLAI3045**


AISI 316 stainless with plate:

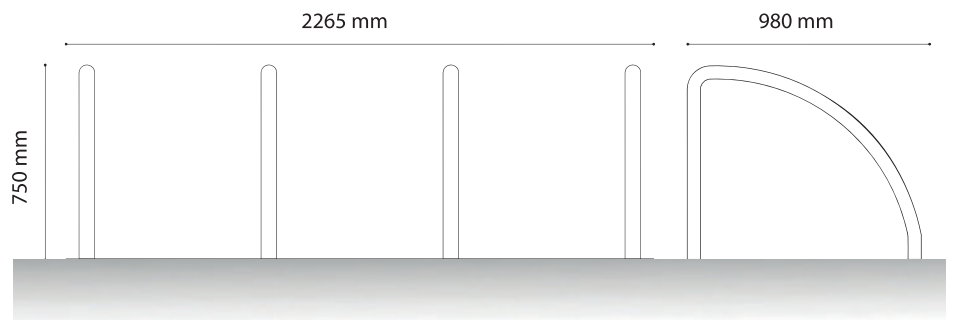
8 bikes **Ref. OLAI3164**

10 bikes... **Ref. OLAI3165**

Ref. OLAI3165

MEASURES:

A	B	C	
2265	900	750	8
2962	900	750	10



www.adourbanfurniture.com

+34 93 116 29 75 (International) | +34 93 456 03 03 (Spanish)

info@adourbanfurniture.com