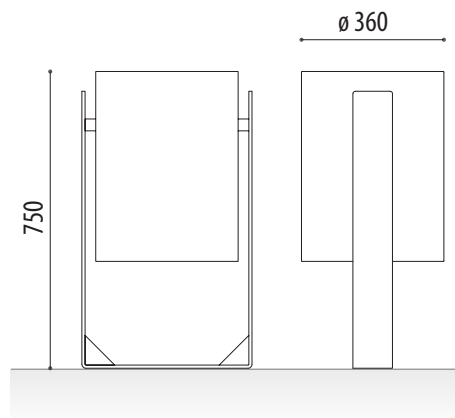




Ref. PRETO01

SIZE:

Diameter: \varnothing 360 mm.
 Height: 750 mm.
 Capacity: 50 litres.



Reto urban litter bin constructed from weathering or grey lacquered steel sheet, highly resistant and robust, with metal anchors. The design with no perforations prevents air from penetrating and garbage bags from misplacing. It includes weathering steel activation on the outer surface.

With this design we wanted to achieve a litter bin that keeps up with the aesthetics of other weathering steel decoration elements, which currently constitute a popular trend, resulting in a robust and aesthetic litter bin.

 Tilting emptying system.

STANDARD FINISHES:

Weathering steel..... Ref. PRETO01
 Oxiron grey..... Ref. PRETOG01

OPTIONAL:

- Personalization with logo decoration.
- Stainless steel inner ring to hold garbage bags. **Ref. AIP360**
- In lacquered or stainless steel.
- Bricat finish (outer catalyzed varnish).
- M11 screw thread. **Ref. T11L**
- Other measures on demand.



Bag holder inner ring.



LITTER BIN

RETO



www.adourbanfurniture.com

+34 93 116 29 75 (International) | +34 93 456 03 03 (Spanish)

info@adourbanfurniture.com

Office, factory and warehouse: C/ Acer, 37-43 Pol. Ind. Les Guixeres 08915 Badalona - Spain