



RETRACTABLE BELT BARRIER

IRON



Ref. PCEHNCA3

Extendable tape separator post (retractable) made of black lacquered iron. Resistant and highly stable economical version.

Ideal for quickly and efficiently managing queues / queues of people.

The multiple applications and its ease of use make it an essential product in shopping malls, multiplexes, museums, exhibition centers, airports, ports, theaters, restaurants, hotels, concerts, shows,...

It works by means of a bearing system that smoothes the advance and collection of the tape. In addition to a 3-way hitch, allowing the arrival of 3 tapes or fixed bars to a single post.

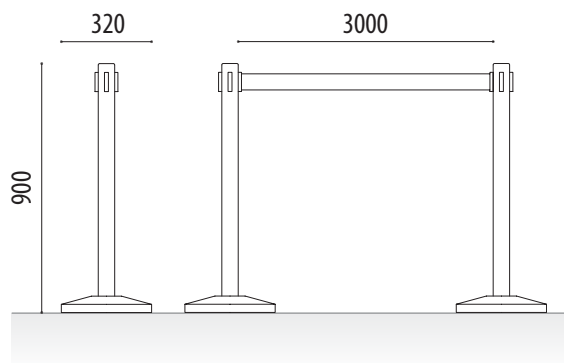
2300 mm blue retractable belt. of length.

STANDARD FINISH:

Black lacquer Ref. PCEHNCA3

POST MEASUREMENTS:

Diameter: $\varnothing 70$ mm.
Height: 900 mm.
Base diameter: 320 mm.
Weight: 7 Kg.



TAPE MEASUREMENTS:

Width: 50 mm.
Length: 3000 mm.



Retractable tape.





RETRACTABLE BELT BARRIER

STAINLESS STEEL



Ref. PCEAICA2

Extensible tape separator post (retractable) made of stainless steel. Resistant and highly stable economical version.

Ideal for quickly and efficiently managing queues / queues of people.

The multiple applications and its ease of use make it an essential product in shopping malls, multiplexes, museums, exhibition centers, airports, ports, theaters, restaurants, hotels, concerts, shows,...

It works by means of a bearing system that smoothes the advance and collection of the tape. In addition to a 3-way hitch, allowing the arrival of 3 tapes or fixed bars to a single post.

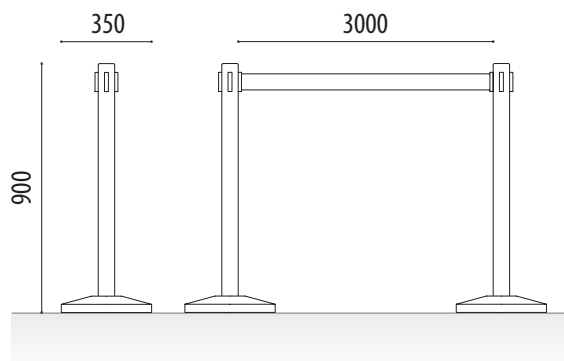
2300 mm blue retractable belt. of length.

STANDARD FINISH:

Stainless steel Ref. PCEAICA2

POST MEASUREMENTS:

Diameter: \varnothing 70 mm.
Height: 900 mm.
Base diameter: 350 mm.
Weight: 8 Kg.



TAPE MEASUREMENTS:

Width: 50 mm.
Length: 3000 mm.



Retractable tape.





RETRACTABLE TAPE SEPARATOR FOR WALL



Ref. SCEPI



Ref. SCEPIR

Extensible tape separator (retractable) made of stainless steel to be placed on the wall.

Ideal for quickly and efficiently managing queues / queues of people.

The multiple applications and its ease of use make it an essential product in shopping malls, multiplexes, museums, exhibition centers, airports, ports, theaters, restaurants, hotels, concerts, shows,...

It works by means of a bearing system that smoothes the advance and collection of the tape.

2300 mm blue retractable belt. of length.

STANDARD FINISH:

Blue ribbon Ref. SCEPI

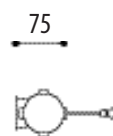
Red ribbon Ref. SCEPIR

POST MEASUREMENTS:

Diameter: \varnothing 63 mm.

Height: 130 mm.

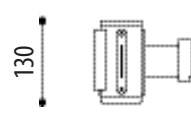
Weight: 0,7 Kg.



TAPE MEASUREMENTS:

Width: 50 mm.

Length: 2300 mm.



www.adourbanfurniture.com

+34 93 116 29 75 (International)

+34 93 456 03 03 (Spanish)

info@adourbanfurniture.com