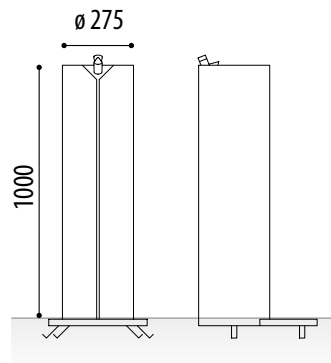




Ref. FRING01

MEASURES:

Diameter: \varnothing 275 mm.
Height: 1000 mm.



Urban fountain model Rhine in a circular shape. Robust round tubular body in lacquered iron, with stainless steel tray and grid. With anchoring legs to fix by embedding.

Safety push-button faucet with anti-rotation.

Ideal to install in parks, gardens, streets, ...

STANDARD FINISHES:

Grey oxiron..... Ref. FRING01

OPTIONAL:

- Other colors to consult.



Safety push-button faucet with anti-rotation.

