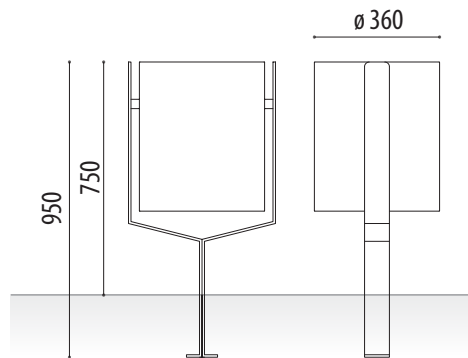




Ref. PRUEC01

SIZE:

Diameter: \varnothing 360 mm.
 Visual height: 750 mm.
 Total height: 950 mm.
 Capacity: 50 litres.



Rue urban litter bin, constructed from highly resistant and robust weathering steel sheet, with a Y-shaped support structure, rounded edges and a bottom plate for ground installation by means of metal screw threads. It includes weathering steel activation on the outer surface.

With this design we wanted to achieve a litter bin that keeps up with the aesthetics of other weathering steel decoration elements, which currently constitute a popular trend, resulting in a robust and aesthetic litter bin.

 Tipping emptying system.

STANDARD FINISHES:

Weathering steel.....Ref. PRUEC01

OPTIONAL:

- Personalization with logo decoration.
- In lacquered or stainless steel.
- Bricat finish (outer catalyzed varnish).
- To embed + decorative plate.
- Other measures on demand.



Embedment.