



Sime urban litter bin manufactured from highly resistant and robust weathering steel sheet, with T-shaped structure post, rounded edges, and a lower plate for ground installation by means of metal screw threads. It includes weathering steel activation on the outer surface.

With this design we wanted to achieve a litter bin that keeps up with the aesthetics of other weathering steel decoration elements, which currently constitute a popular trend, resulting in a robust and aesthetic litter bin.

STANDARD FINISHES:

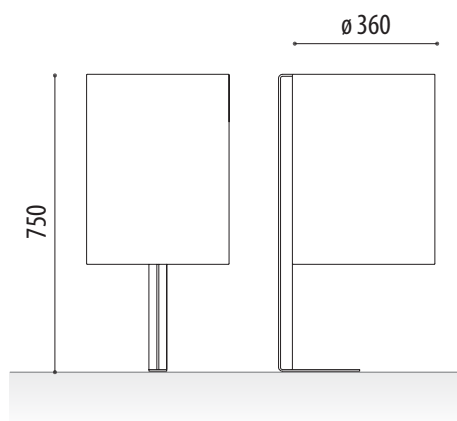
Weathering steel.....**Ref. PSIMEC01**
 Oxiron grey.....**Ref. PSIMEG01**

OPTIONAL:

- Personalization with logo decoration.
- Stainless steel inner ring to hold garbage bags. **Ref. AIP360**
- In lacquered or stainless steel.
- Bricat finish (outer catalyzed varnish).
- To embed + decorative plate.
- Rou ashtray. **Rif. CROUCI**
- M11 screw thread. **Ref. T11L**
- Other measures on demand.

SIZE:

Diameter: \varnothing 360 mm.
 Height: 750 mm.
 Capacity: 50 litres.



Bag holder inner ring.



Embedment



Ashtray.



LITTER BIN

SIME



 www.adourbanfurniture.com

 +34 93 116 29 75 (International) | +34 93 456 03 03 (Spanish)

 info@adourbanfurniture.com

Office, factory and warehouse: C/ Acer, 37-43 Pol. Ind. Les Guixeres 08915 Badalona - Spain