



Teatro urban bench composed of four 1800x110x35 mm tropical wood slats.

Structure manufactured from 3 mm folded metal sheet.

Ideal for municipalities, shopping centres, schools, squares, streets, parks, etc....

STANDARD FINISHES:

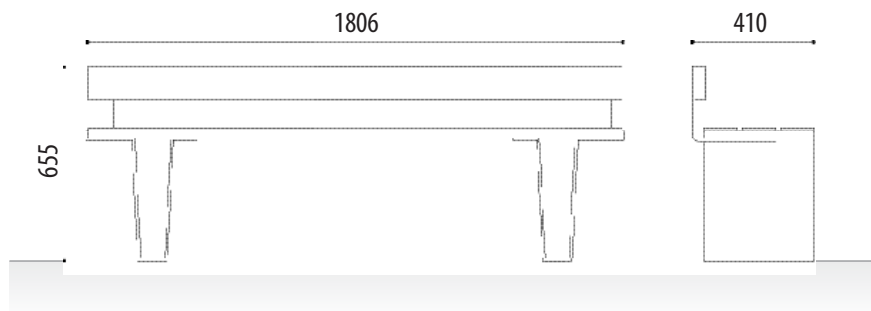
Oxiron grey. Ref. BTEATROG01
 Weathering steel Ref. BTEATROC01

OPTIONAL:

- Possibility of synthetic wood slats.
- Possibility of steel slats.
- Possible manufacture in faux weathering or other colours.

SIZE:

Width: 410 mm.
 Height: 655 mm.
 Length: 1806 mm.





Ref. STEATROC01

Teatro urban single-seat bench composed of 4 slats of tropical wood of 600x110x35 mm.

Structure manufactured from 3 mm folded metal sheet.

Ideal for municipalities, shopping centres, schools, squares, streets, parks, etc....

STANDARD FINISHES:

Grey oxiron Ref. STEATROG01

Weathering steel Ref. STEATROC01

OPTIONAL:

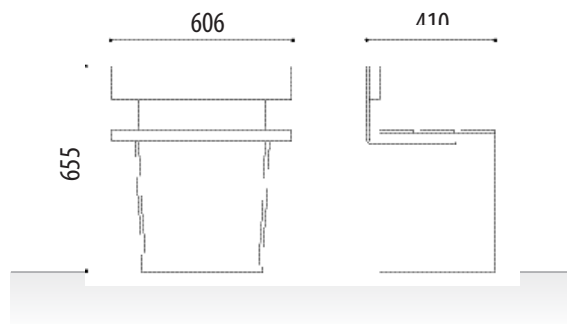
- Possibility of synthetic wood slats.
- Possibility of iron slats.
- Possible manufacture in faux weathering or other colours.

MEASURES:

Width: 410 mm.

Height: 655 mm.

Length: 606 mm.





Teatro urban bench without back composed of 3 slats of tropical wood of 1800x110x35 mm.

Structure manufactured from 3 mm folded metal sheet.

Ideal for municipalities, shopping centres, schools, squares, streets, parks, etc....

STANDARD FINISHES:

Oxiron grey. **Ref. BTEATROG02**
 Weathering steel. **Ref. BTEATROC02**

OPTIONAL:

- Possibility of synthetic wood slats.
- Possibility of steel slats.
- Possible manufacture in faux weathering or other colours.

SIZE:

Width: 370 mm.
 Height: 450 mm.
 Length: 1806 mm.

