



LITTER BIN

TEBAS



Ref. PTEBASG01

Tebas urban litter bin with a reinforced and solid design, and great storage capacity.

Manufactured from a square bucket in steel sheet with a straight vertical shape, rounded edges and inner ring to hold garbage bags; lower part of the sheet as ground support with a innerly welded plate for ground installation by means of metal screw threads.

Hinged tipping lid with lock.

STANDARD FINISHES:

Oxiron grey. Ref. PTEBASG01

Weathering steel. Ref. PTEBASCO1

OPTIONAL:

- Personalization with logo decoration.
- Stainless steel inner ring to hold garbage bags . Ref. AIP385X385



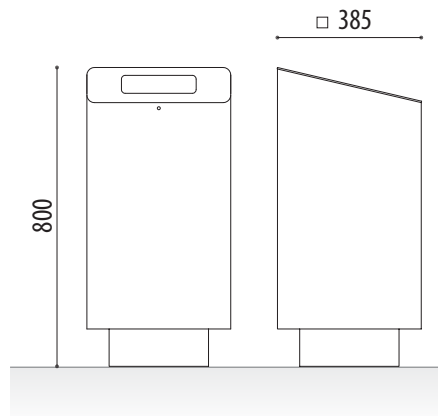
Bag holder inner ring.

SIZE:

Width: 385x385 mm.

Height: 800 mm.

Capacity: 96 litres.



www.adourbanfurniture.com

+34 93 116 29 75 (International) | +34 93 456 03 03 (Spanish)

info@adourbanfurniture.com