



LITTER BIN

TENE



Ref. PTENE01

Tene model urban litter bin with 1460 mm post. for fixing to the ground. With cylindrical tray in embedded plate.

Installation by embedding in the ground.

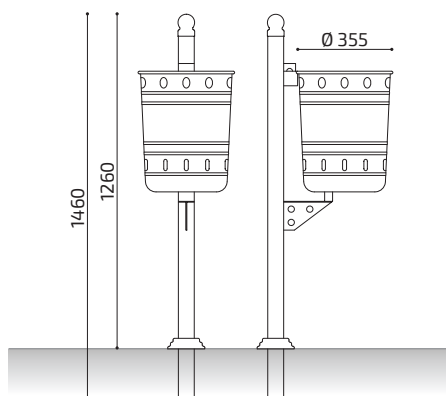
STANDARD FINISHES:

Grey oxiron.....Ref. PTENE01



MEASURES:

Diameter: \varnothing 355 mm.
Visible height: 1260 mm.
Total height: 1460 mm.
Capacity: 38 litres.



www.adourbanfurniture.com

+34 93 116 29 75 (International)

+34 93 456 03 03 (Spanish)

info@adourbanfurniture.com