




Ref. PTRECENC01

**Trecen urban tipping litter bin** constructed from a highly resistant and robust weathering steel sheet, round-edged, with rectangular support legs and a lower plate for ground installation by means of metal screw threads. It includes weathering steel activation on the outer surface.

With this design we wanted to achieve a litter bin that keeps up with the aesthetics of other decorative weathering steel elements, which currently constitute a popular trend, resulting in a robust and aesthetic litter bin.

 Tipping emptying system.

#### STANDARD FINISHES:

Weathering steel..... Ref. PTRECENC01

Oxiron grey..... Ref. PTRECENG01

#### OPTIONAL:

- Personalization with logo decoration.
- Stainless steel inner ring to hold garbage bags. Ref. AIP360
- In lacquered iron or stainless steel.
- Bricat finish (outer catalyzed varnish).
- M11 screw thread. Ref. T11L
- Other measures on demand.

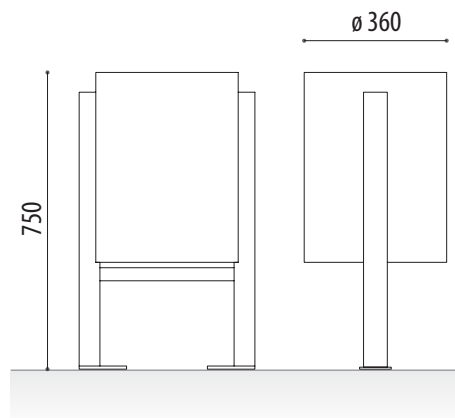


#### SIZE:

Diameter:  $\varnothing$  360 mm.

Height: 750 mm.

Capacity: 50 litres.



Bag holder inner ring.