



MANUAL FOLD-DOWN BARRIER

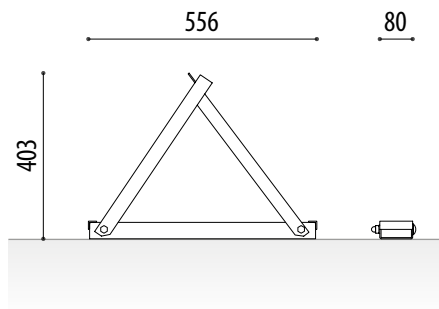
VOLOS



Ref. VOLOSG01

MEASURES:

Width: 80 mm.
Overall height: 403 mm.
Length: 556 mm.
Weight: 5 Kg.



Volos model folding manual parking barrier, parking guard to always keep your parking space reserved at all times, thus preventing another vehicle from parking in your parking space.

STANDARD FINISHES:

Galvanized Ref. VOLOSG01

CHARACTERISTICS:

- Manual parking barrier that is easy and quick to install using metal studs.
- Robust and stable.
- Increases security against theft of the vehicle.

ACCESSORIES:

- 40 mm brass padlock. with steel bow.
Ref. CNMCAD40

RECOMMENDED SCREWS:

- For concrete:

ø 11. - Ref. T11L



- For asphalt / panot:

ø 10. - Ref. T10X135



www.adourbanfurniture.com

+34 93 116 29 75 (International) | +34 93 456 03 03 (Spanish)

info@adourbanfurniture.com