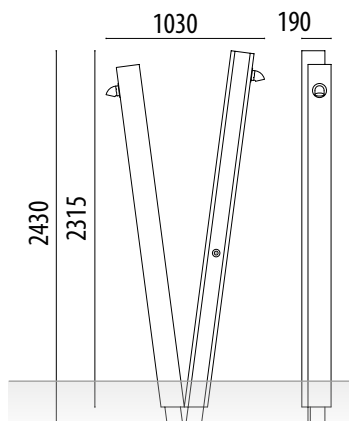




Ref. DWIN316I

MEASURES:

Width: 190 mm.
 Visible height: 2315 mm.
 Overall height: 2430 mm.
 Length: 1030 mm.



Win model outdoor shower, in gloss finished stainless steel and treated pine wood. Constructed with two independent bodies with a square and inclined shape, each one with a vandal-resistant chromed shower head and push button.

Ideal to install outside, on beaches or swimming pools.

STANDARD FINISHES:

AISI 304 + Pino Ref. DWIN314I
 AISI 316 + Pino Ref. DWIN316I

OPTIONAL:

- Manufacturing in AISI 316. Ref. SUPDU316
- Wooden platform. Ref. TAMADUCHA
- Drainage system.
- Non-slip base.
- Foot wash tap. Ref. SUPGRILAV
- Chair. Ref. TABRIG001
- Low bench. Ref. BOCEANIS

