



**Exhibition and sales:**  
C/ de la Industria 173  
08025 Barcelona - Spain

**Office, factory and warehouse:**  
C/ Acer 37-43 Pol. Ind. Les Guixeres  
08915 Badalona - Spain

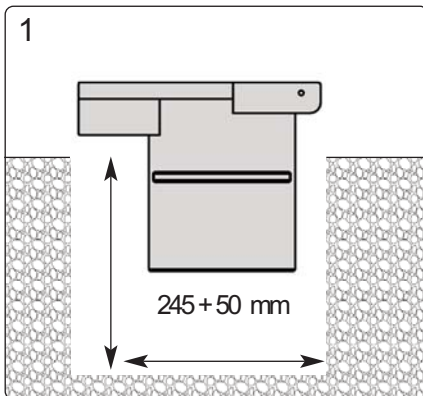
**Madrid office:**  
Pso. Castellana, 141 Plt. 20 - Cuzco IV  
28046 Madrid - Spain

International phone: +34 93 116 29 75 - Spanish phone: Tel. +34 93 456 03 03 - Fax: +34 93 455 22 28 - E-mail: ado@adosa.es

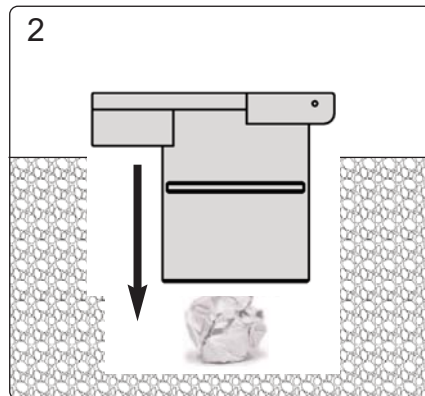


## Removable base instalation exemple

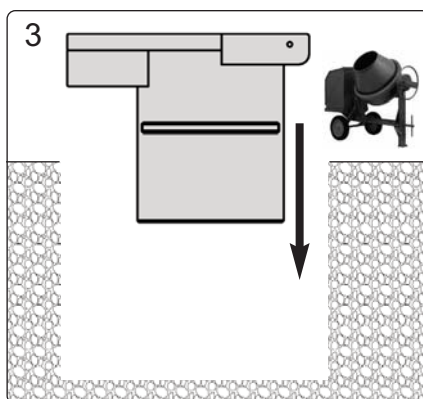
Sizes:



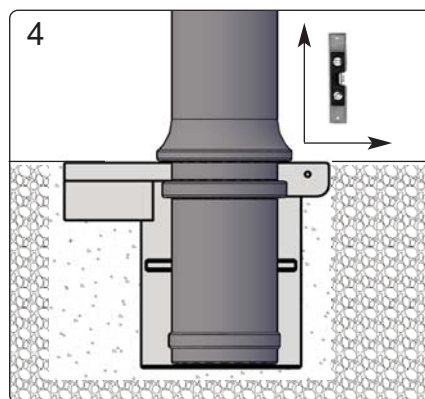
1  
Perform a hole for the removable base installation. Preferably with diamond bit drill, failing with jackhammer or rotary.



2  
Introduce the newspaper inside the hollow of base removable to avoid.



3  
Introduce the base inside the hole and filled with concrete.



4  
Level the bollard correctly.

